

Construction

Compact, automatic autoclaves for household water feeding, consisting of;

- close-coupled pump
- membrane tank - 24 liters capacity
- pressure switch
- pressure gauge
- special connector
- flexible pipe
- float switch against dryrunning
- 2.5 m cable with plug

Operation

According to the decrease or increase of pressure, the pressure switch determines when the pump will start or stop.

Application

- water supply
- sprinkling
- irrigation and spraying
- pumping water from wells and out of low-lying tanks.

Technical Data

- Mains connections single phase
- Suction head max 8 m
- Inlet pressure max 1 bar
- Start-up pressure 1.5 bar
- Variable switch-off pressure
- Fluid temperature +5 °C to +40 °C
- Operating pressure max 8 bar
- Connections threaded type 1"



Motors

2-pole induction motors, 50 Hz, n=2900 rpm
 Three-phase 230/400V ± %10
 Single-phase 230V ± %10, with thermal protector
 Insulation class F
 Protection IP54
 Constructed in accordance with IEC 60034
 Other voltages and frequencies on request.

Vessels

Horizontal with capacity 24 liters, membrane type, air preordaining with pressure 0.2 bar below the minimum pressure switch rating.

Pump Models and Capacities

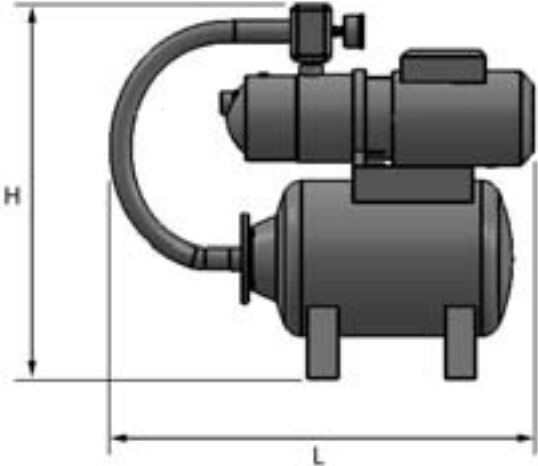
Self-priming Pumps		Q (m³/h)					
		0	1	2	3	4	
NGXM 2	H (m)	0	35	25			
NGXM 3/A		0	38	33			
NGXM 4/A		0	37	32	27	23	

Self-priming Pumps		Q (m³/h)			
		0	1	2	3
ASPRI 15 3 M	H (m)	0	29	25	17
ASPRI 15 4 M		0	40	33	22
ASPRI 15 5 M		0	47	40	25

Self-priming Pumps		Q (m³/h)						
		0	1	2	3	4	5	6
ASPRI 25 3 M	H (m)	0	58	55	52	44	40	32

Pumps with Noryl Impellers		Q (m³/h)							
		0	1	2	3	4	5	6	7
MXPM 204/A	H (m)	0	40	35	28	22	13		
MXPM 404/A		0		40	37	33	28	23	

Completely Stainless-Steel Pumps		Q (m³/h)							
		0	1	2	3	4	5	6	7
MXHM 204/A	H (m)	0	42	37	31	22			
MXHM 404/A		0			38	35	32	26	20



Model	DNs	DNd	W	L	H
TURBOMAT / NGXM 2	1"	1"	430	660	790
TURBOMAT / NGXM 3/A	1"	1"	430	660	790
TURBOMAT / NGXM 4/A	1"	1"	430	660	790
TURBOMAT / ASPRI 15 3 M	1"	1"	430	660	790
TURBOMAT / ASPRI 15 4 M	1"	1"	430	660	790
TURBOMAT / ASPRI 15 5 M	1"	1"	430	660	790
TURBOMAT / ASPRI 25 4 M	1"	1"	430	660	790
TURBOMAT / MXPM 204/A	1"	1"	430	660	790
TURBOMAT / MXPM 404/A	1"	1"	430	660	790
TURBOMAT / MXHM 204/A	1¼"	1"	430	660	790
TURBOMAT / MXHM 404/A	1¼"	1"	430	660	790

